
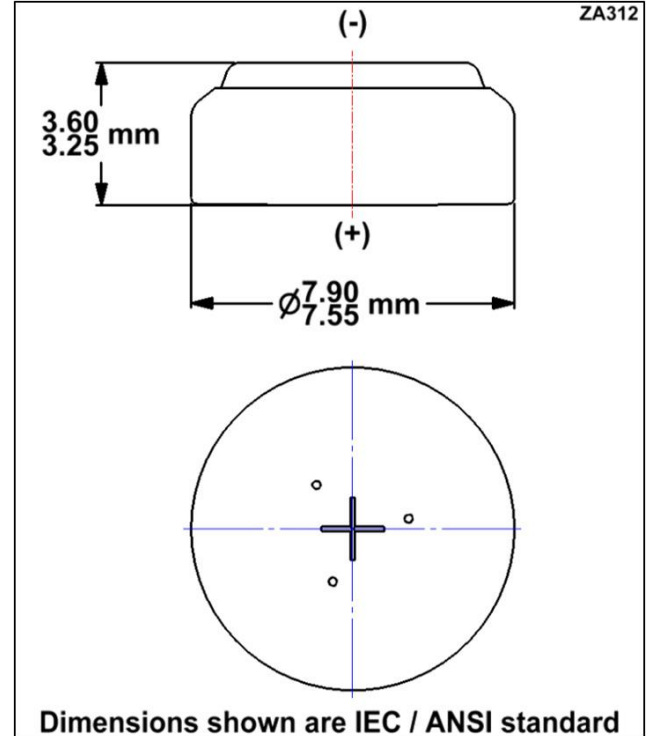


| | |
|---|--|
|  | |
| Nominal Voltage | 1.45 V |
| Rated Capacity | 185 mAh at 1500 ohm to 1.1 V @ 21°C and 50% RH |
| Typical Impedance (Fresh) | 5.5 ohm @ 1kHz |
| Typical Weight | 0.58 g (0.020 oz) |
| Volume | 0.18 cm ³ (0.011 in ³) |
| Terminals | Flat |
| Operating Temperature Range | 0°C to 50°C (32°F to 122°F) |
| Recommended Storage Temperature | 5°C to 30°C with 40-80% RH |
| Shelf Life | 4 years unactivated @ 21°C |
| Designation | ANSI: 7002Z IEC: PR41 |



Typical Discharge Characteristics at 21°C (70°F) and 50% RH

